

300-118 – 3NM 180° GREEN LIGHT

The LED light consists of a single array of LEDs that produces light in the specified angle.

The precision machined 6082 aluminium housing with an anodized surface makes the light a rugged and durable housing for the LEDs and electronics contained within.

The interior is completely filled with a special potting resin making it water- and vibration proof.

Produced in our in-house manufacturing facility to meet and exceed exacting standards such as EN14744 and UL1104, under a quality management system continuously surveyed by Lloyds Register Quality Assurance.

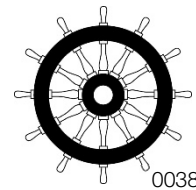
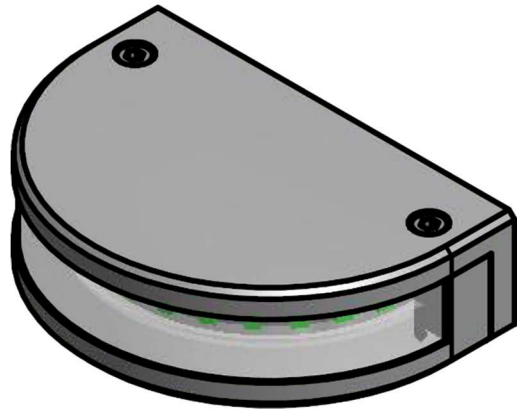
Each light is subjected to final testing for a minimum of 16 hours of continuous operation bringing the total test time beyond 24 hours.

This navigation light is in compliance with the following standards:

- COLREG72
- EN14744
- IEC 60945
- USCG (UL1104)

Together with an appropriate Control & Monitoring System, such as Lopolight's own NLC* this navigation light can form part of an IMO MSC 253(83), LY3 and LY4 compliant system.

*) information found here: www.lopolight.com/NlcPanel



Technical specifications

Vessel size: >50m (>164')

Visibility: >3 nautical miles

Intensity: >15 cd

Power consumption; 3,4 Watt; Current @ 12 VDC: 0,28A - Current @ 24 VDC: 0,14A

Operating voltage: 10 - 32 V DC

Mounting: **Vertical**

Number of LEDs: 13

Light colour: **Green**

Operating temperature: -25°C to +55°C

IP Rating: **IP68**

Connection: 1 cable consisting of 2 x 0,5 mm² leads, a screen and insulation.

- Red lead = Power
- Black lead = GND

Certification: The product is certified by Lloyds (LR) and certificates can be found on www.lopolight.com under certificates.

The product is in compliance with the following standards:
COLREG72/ EN14744 / IEC 60945 / USCG/ UL1104

Dimensions: **See drawing**

Weight: 0,35kg

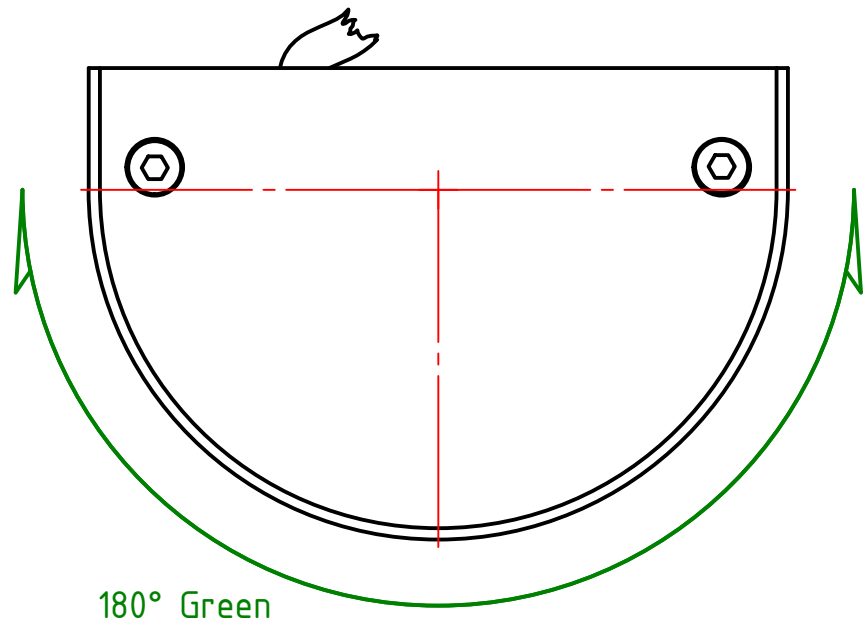
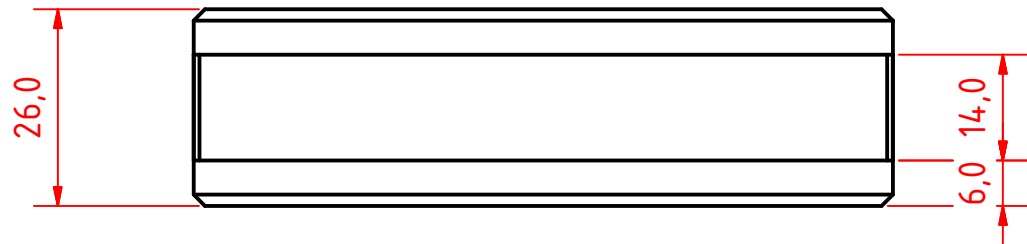
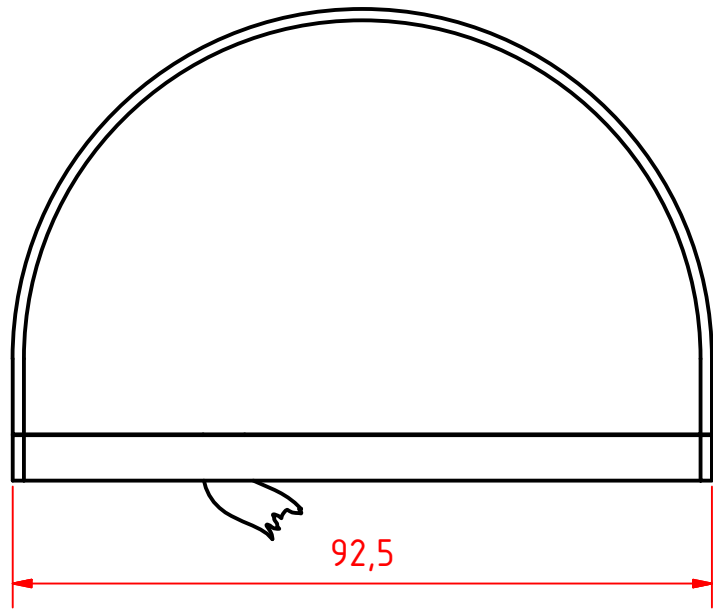
Included in standard package:

- 1 pc. Navigation light, pre-cabled with 0,75m marine grade cable
- 2 pcs. Mounting screws (M6 x 8 mm)
- Installation instructions

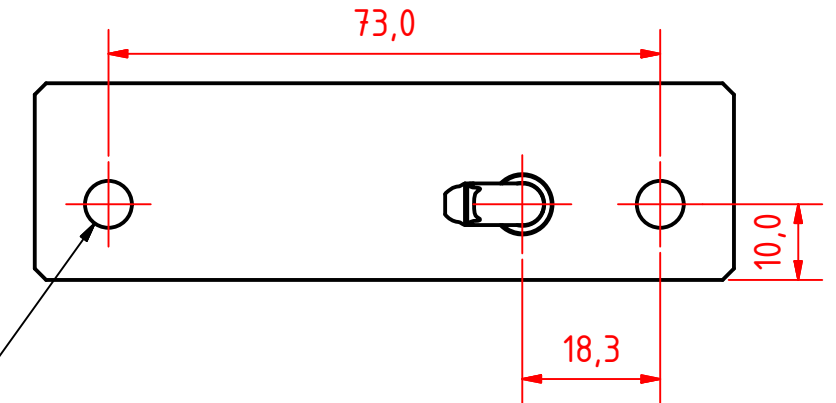
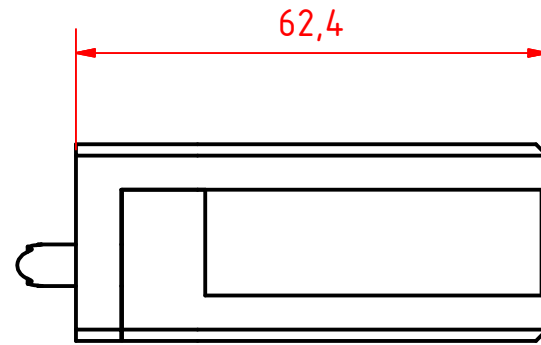
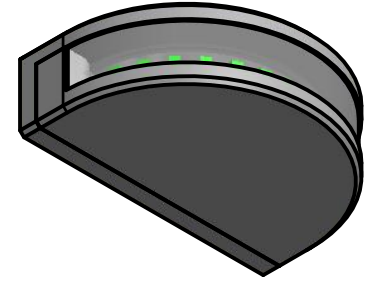
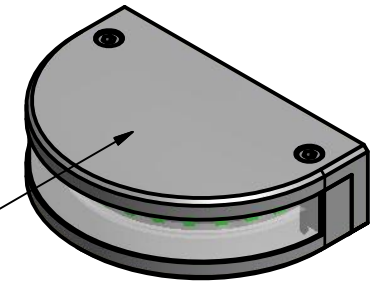
Ordering information

CABLE LENGTH	PART NUMBER SILVER FINISH	PART NUMBER BLACK FINISH*
2,5m / 8.2' (standard)	300-118	300-118-B
6m / 19.7'	300-118 6M	300-118-B 6M
10m / 32.8'	300-118 10M	300-118-B 10M
20m / 65,6'	300-118 20M	300-118-B 20M

*) The black finish option has a tougher hard coat anodizing of 50µ thickness



Top mounted, Angle shaped, mounting bracket to be mounted with 2pcs countersunk, M6 screws behind the navigation light.



Mounting Hole
Ø6,2 THRU

Rev1: 09/02/15 Drawing number changes.

300-118 3nm 180 degree Green Vertical Mount for Vessels over 50 meters

DRAWING NO.: 300-118AB	REV. NO.: 1	SIZE: A3	DRAWN BY: paulhardercohen
----------------------------------	-----------------------	--------------------	-------------------------------------

SCALE: 1:1	TOLERANCES: DS/ISO 2768-f	REVIEWED BY: JM	CREATION DATE: 09/02/15
----------------------	-------------------------------------	---------------------------	-----------------------------------

MATERIAL DESCRIPTION:
Aluminium & Arylic (20µ) Silver anodized according to EN ISO 7599 (50µ) Black anodized according to MIL-A 8625F

This Drawing, and the information within, is the property of Lopolight ApS and may not be used in any form without express permission there from. Lopolight reserves the right to change this drawing and assumes no liability for the information communicated herein. Use of dimensions and other information in this drawing is at the users own risk.



Lopolight ApS
Ved Klaedebo 12
DK-2970, Hoersholm
Denmark
www.lopolight.com

Tel:(+45) 32 48 50 30 Fax:(+45) 32 48 50 32
info@lopolight.com

50MM AT A3

